



ENHANCED VOICE PROCESSING FOR HEADPHONES

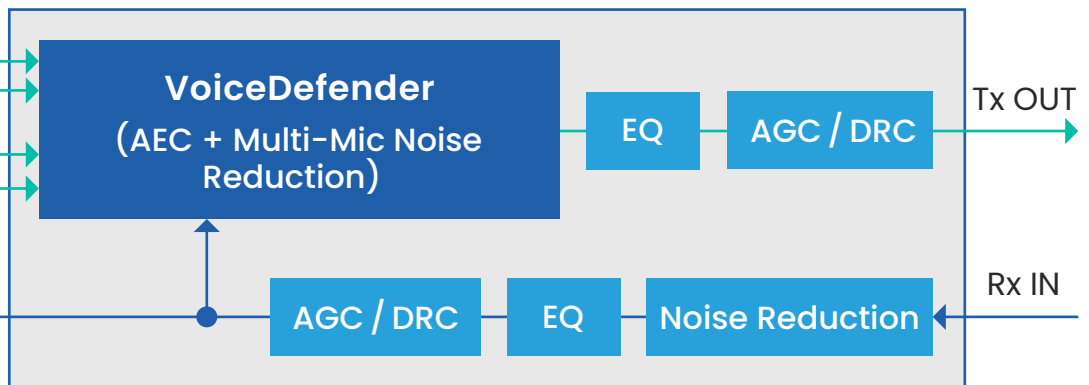
VoiceDefender™

Licensable software for processing voice calls and improving voice control. Assured of being heard whether in the office, gaming, or on the go.



CRISP VOICE CALLS WITHOUT A MICROPHONE BOOM

VoiceDefender BLOCK DIAGRAM



VoiceDefender employs adaptive directional beamforming on 4 microphone signals (2 per ear). A combination of end-fire and broadside beamforming is used to create a single enhanced output, providing a personal zone of voice preservation even in noisy environments.

Available on a variety of DSP/MCU cores.



www.alango.com
info@alango.com



2 Etagar, Tirat Carmel
3903213, Israel

**DSP SOFTWARE TECHNOLOGIES
FOR VOICE-AUDIO-HEARING**